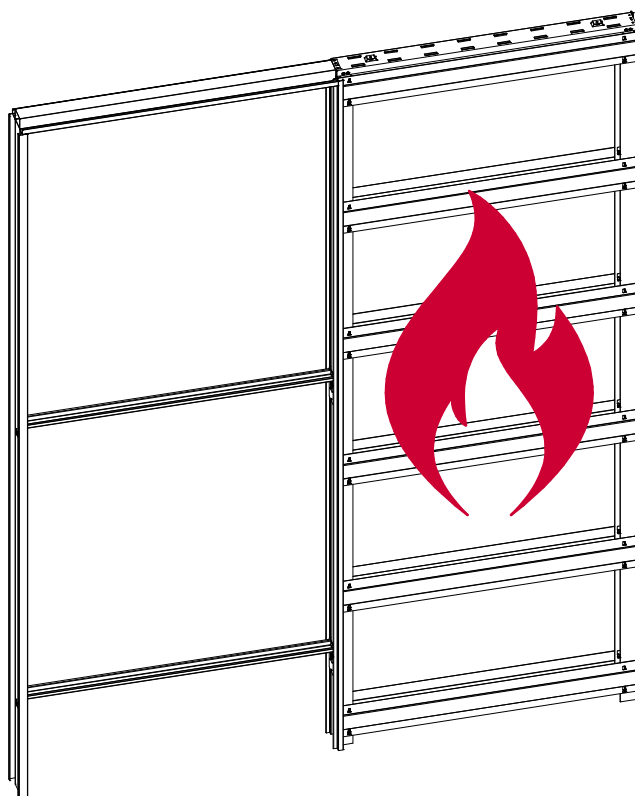


**Ermetika**<sup>®</sup>  
INSIDE WALLS

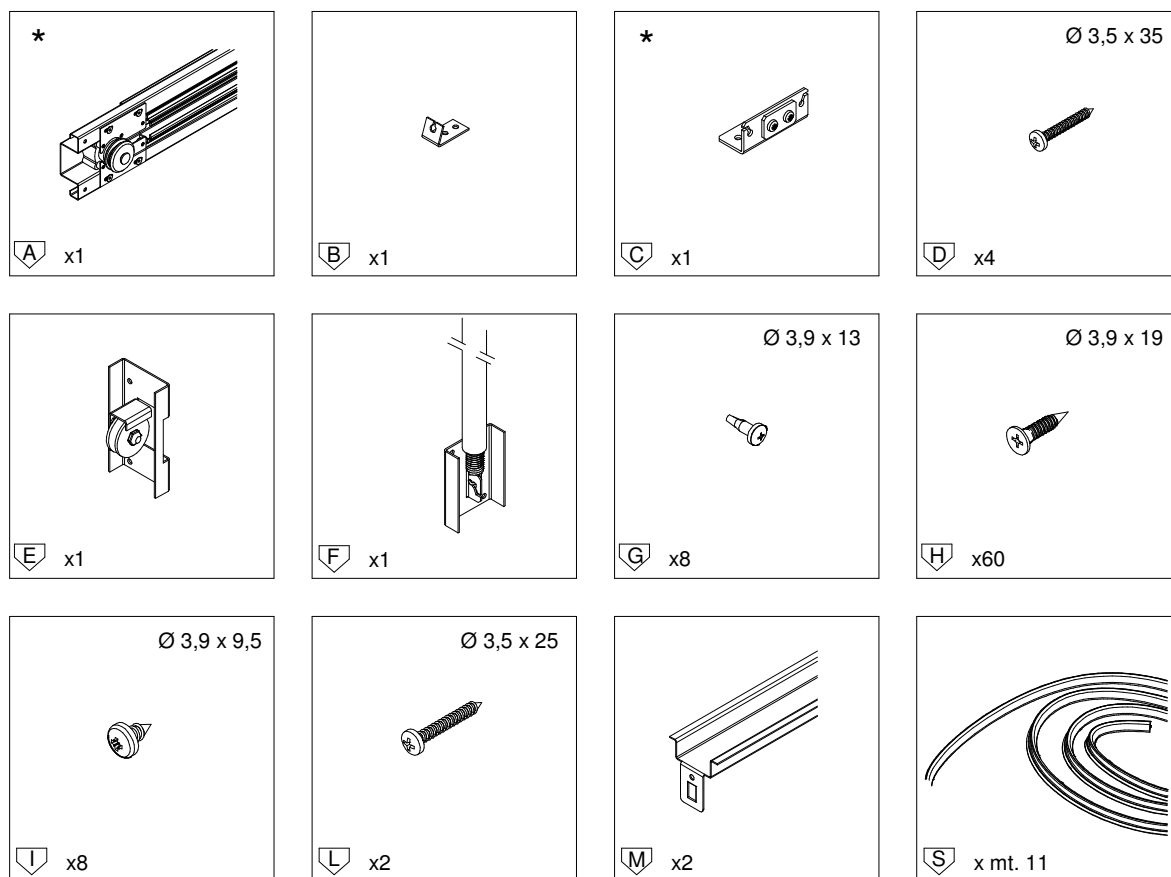


ISTRUZIONE MONTAGGIO - SETUP INSTRUCTION  
INSTRUCTION MONTAGE- INSTRUCCIONES DE MONTAJE

Fire FD30  
**evokit**

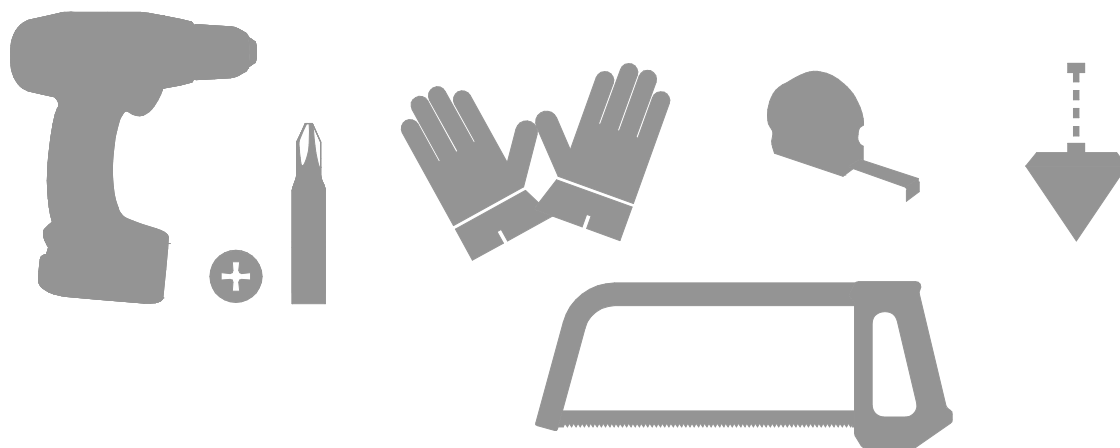
# CONTENUTO KIT | CONTENTS

Dotazione - Standard equipment - Equipement standard - Equipo standard



\* Componenti premontati di fabbrica / Components supplied already pre-assembled from factory

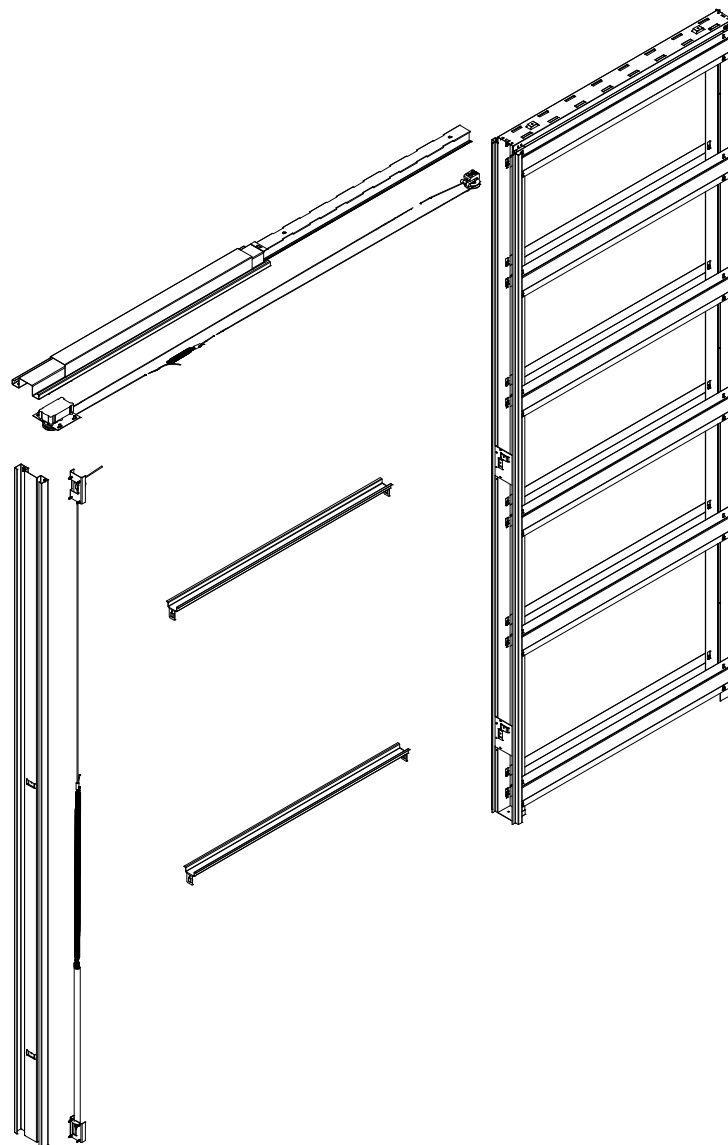
Attrezzatura - Tools - Outils - Herrajes



## CONTENUTO KIT | CONTENTS

Panoramica - Overall view - Vue d' ensemble - General

---

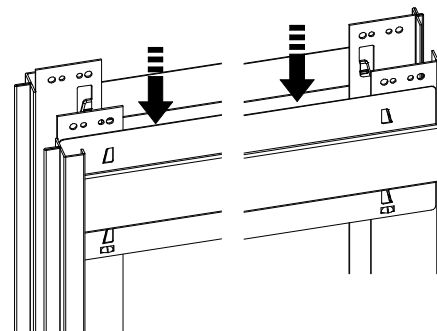
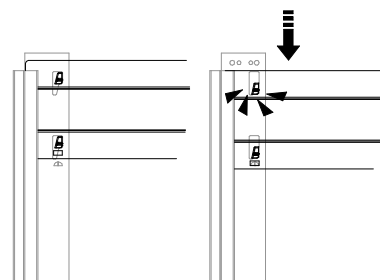
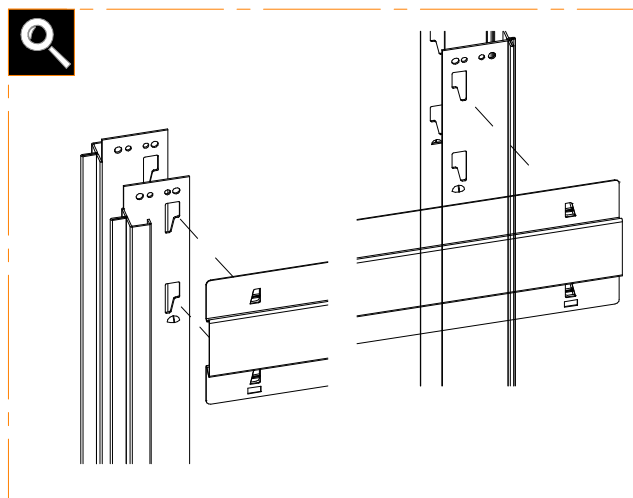
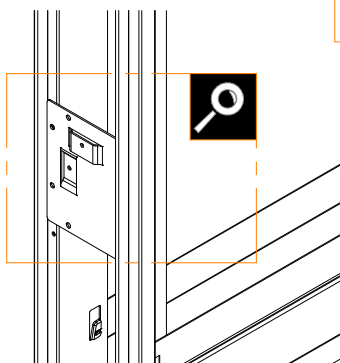
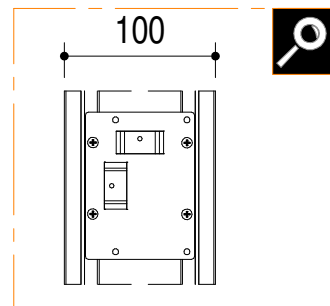
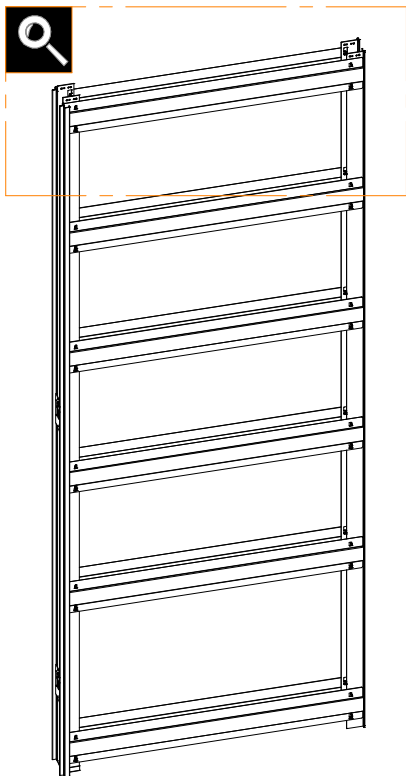


### INDICE - INDEX

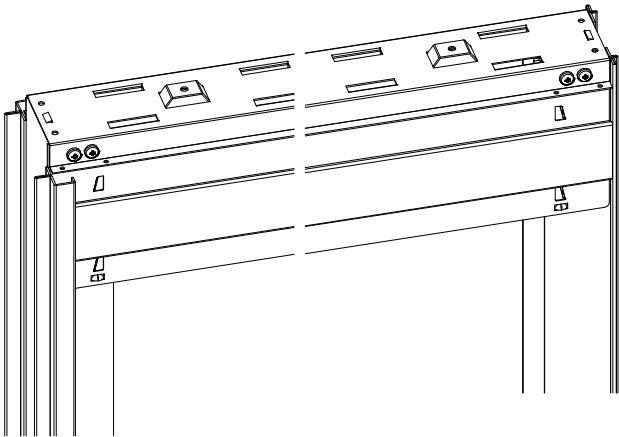
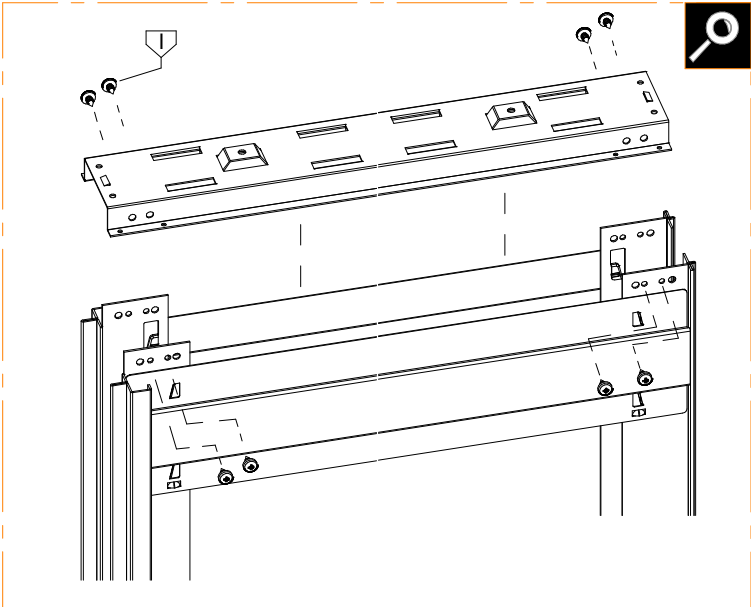
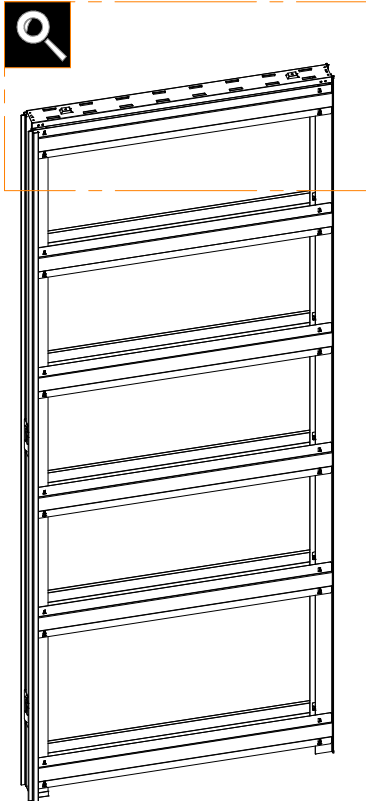
---

Montaggio controtelaio - Setup pocket door system	2-7
Montaggio anta - Setup door	8-12
Montaggio stipiti "fire" - Setup door jambs	13-15

1.1

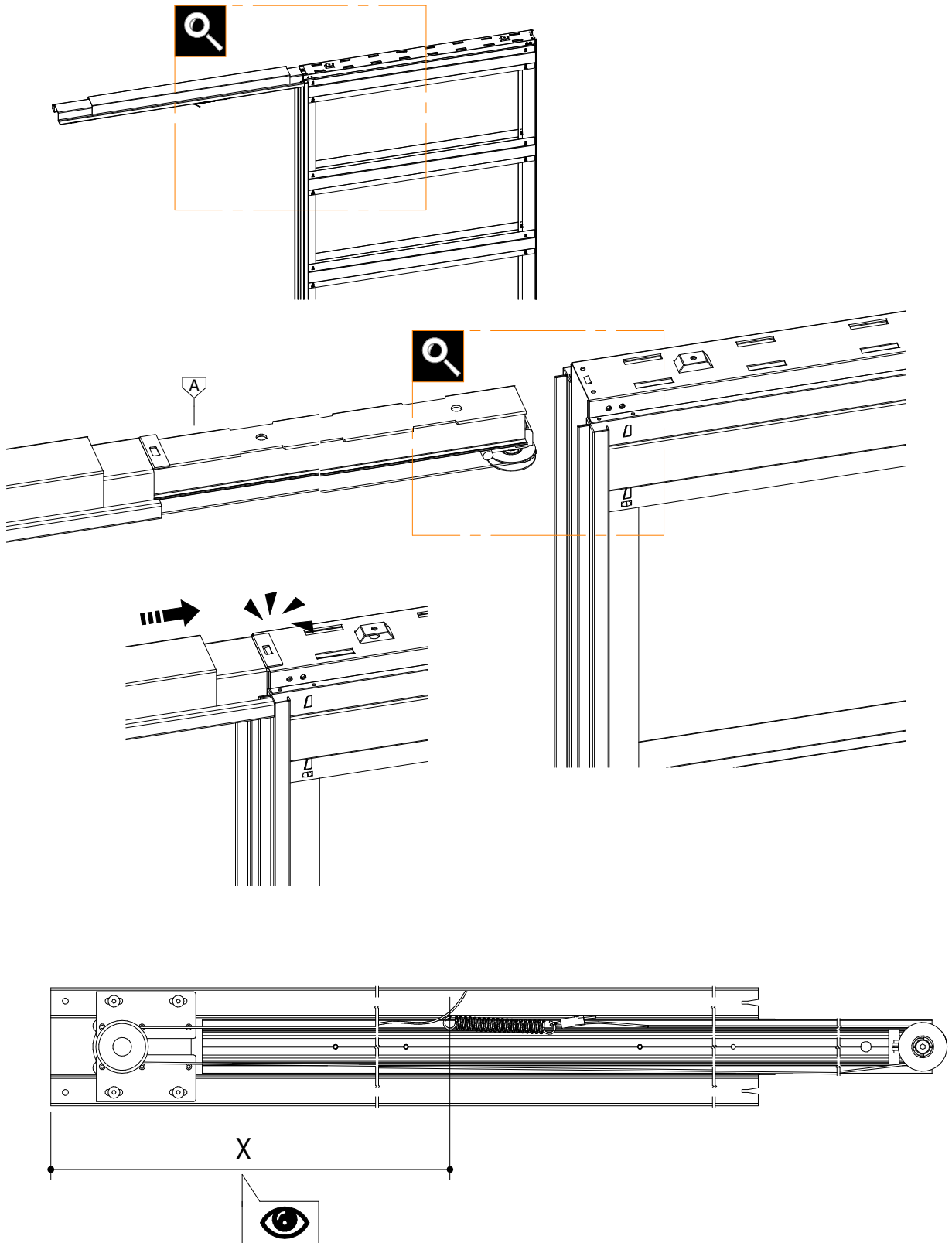


1.2

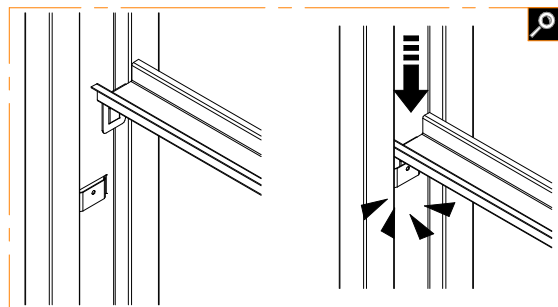
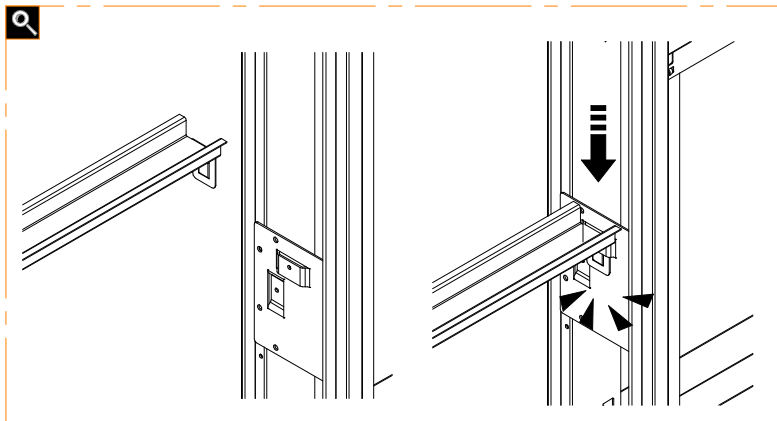
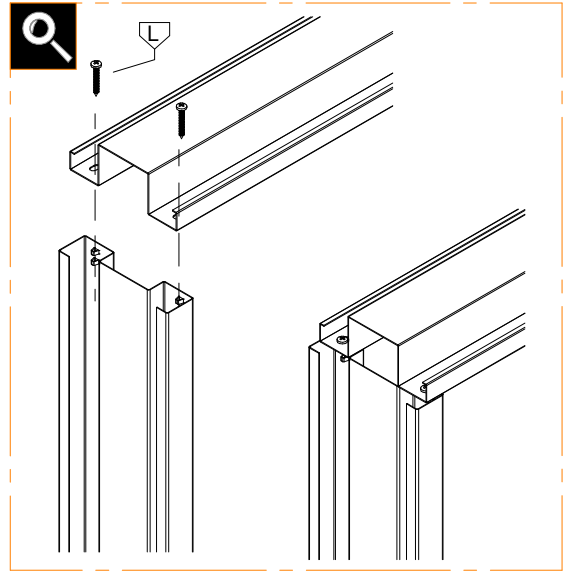
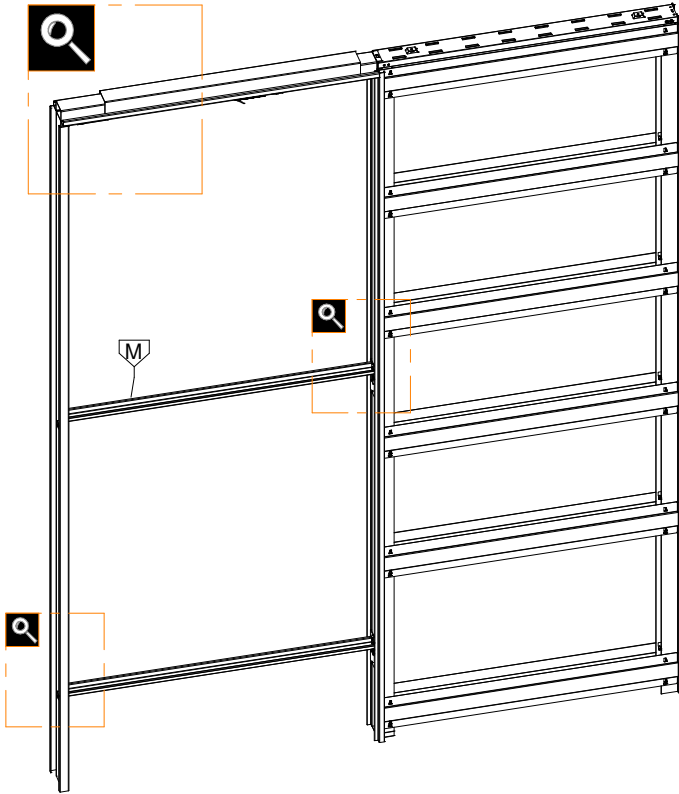


Subject to misprints, errors and technical modifications.  
All dimensione are in mm

1.3

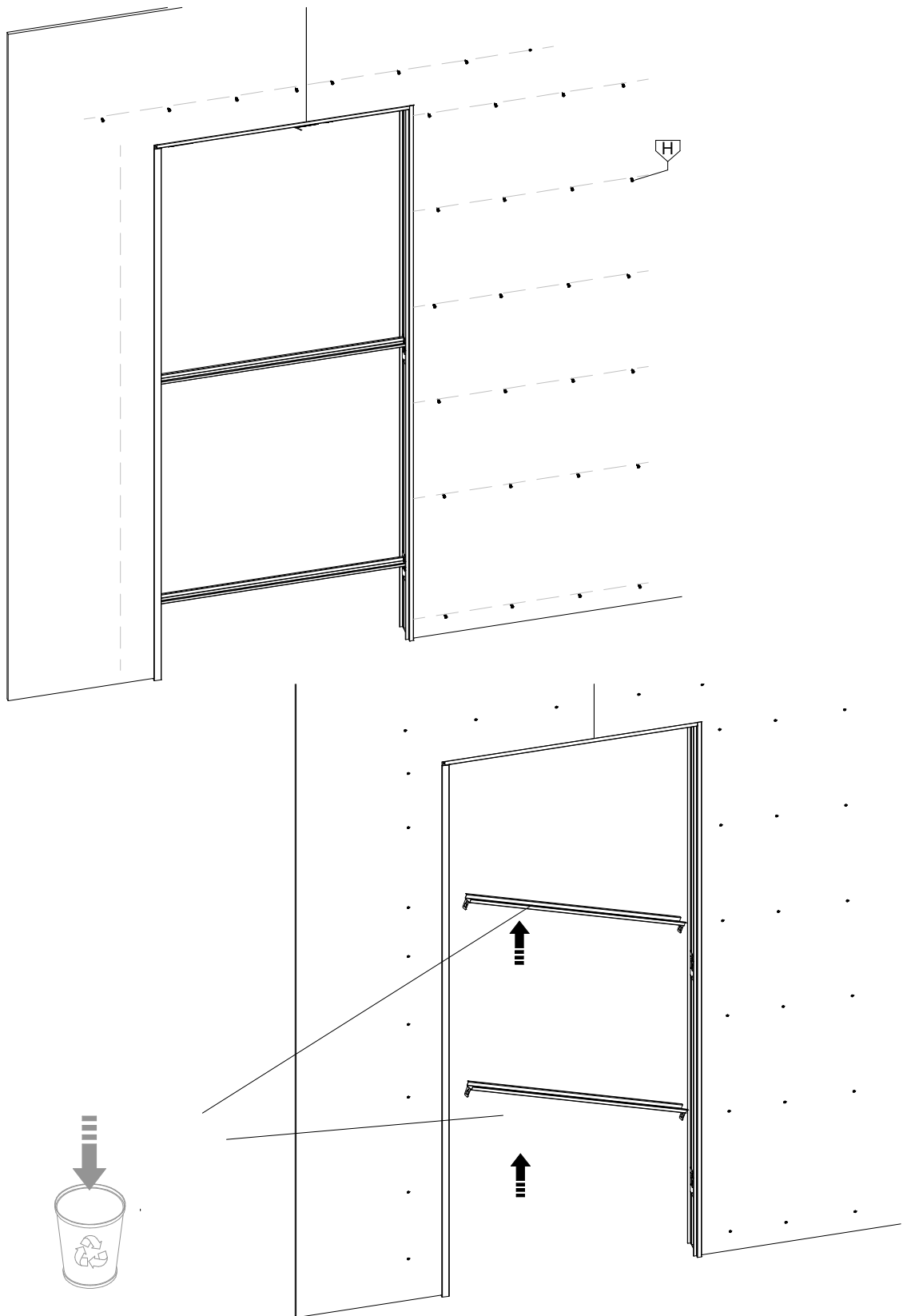


1.4



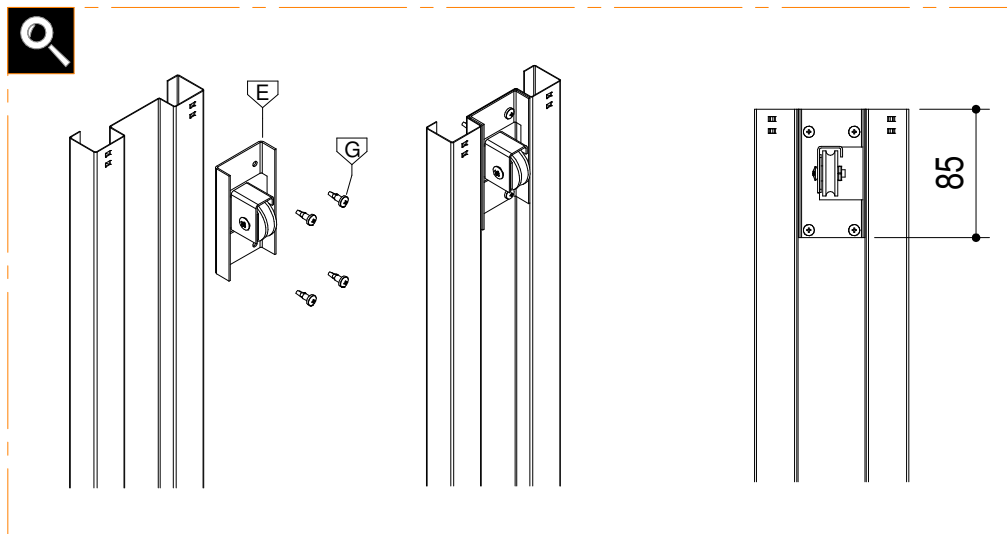
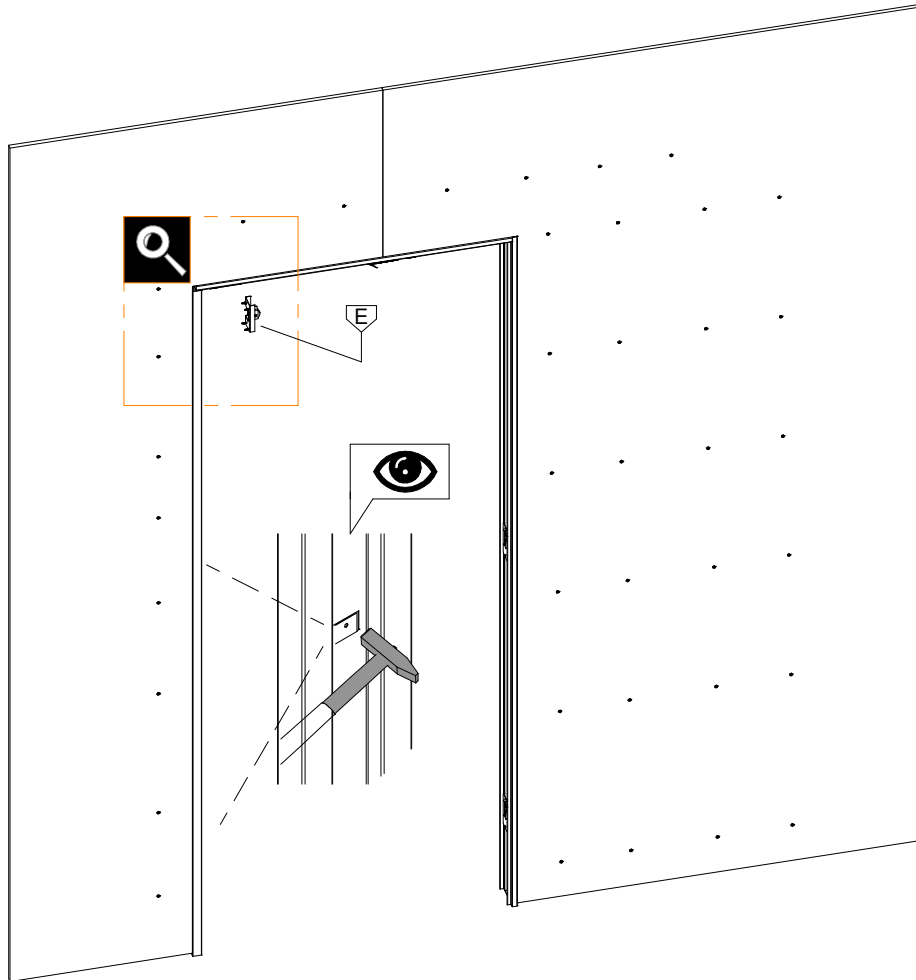
Subject to misprints, errors and technical modifications.  
All dimensione are in mm

1.5



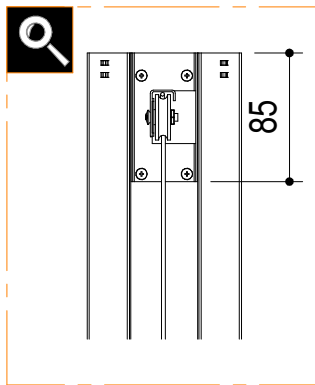
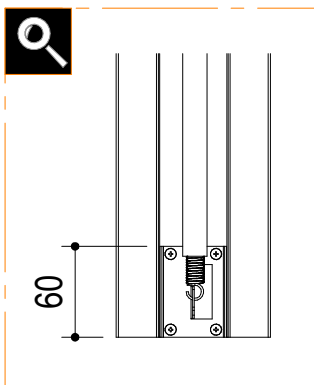
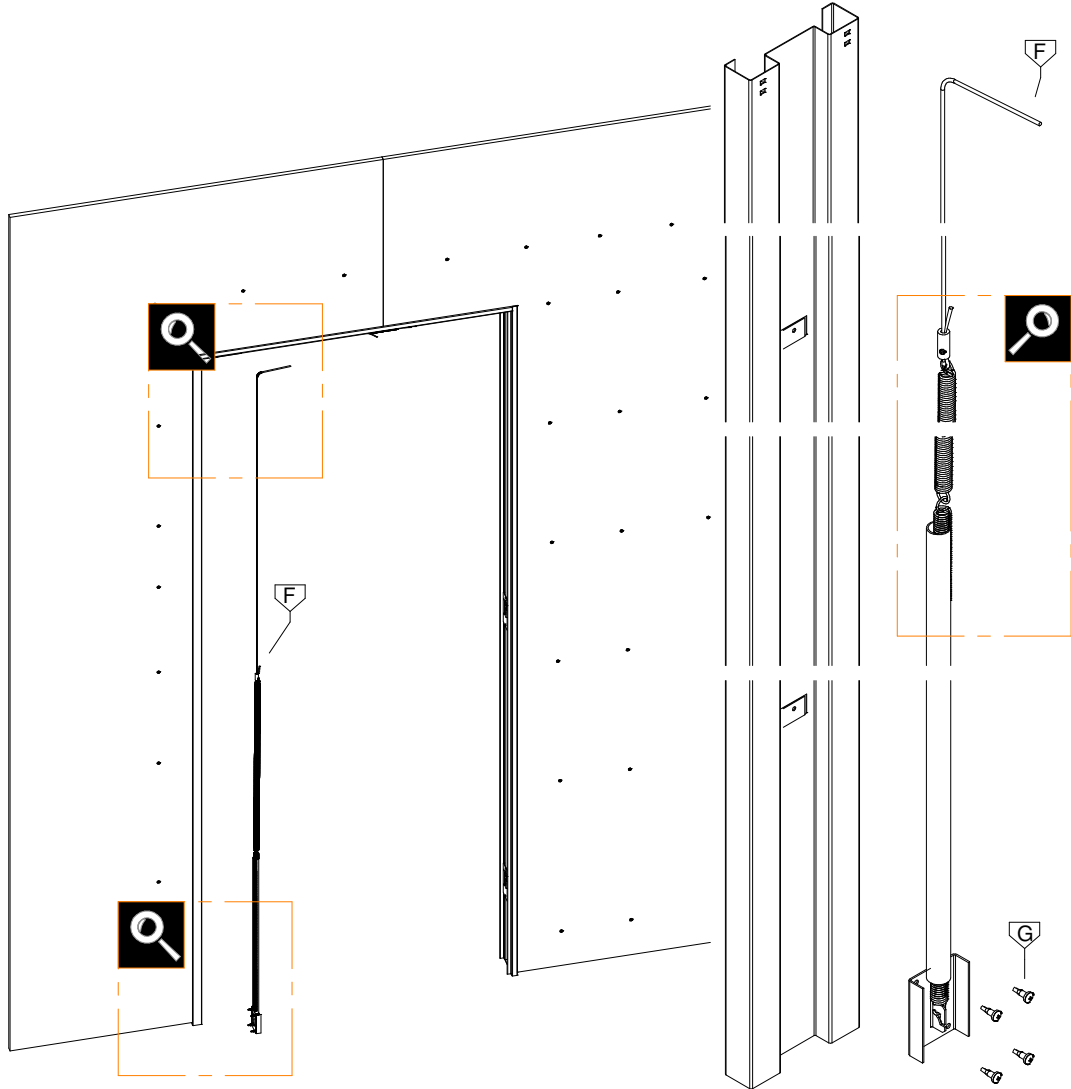


2.1



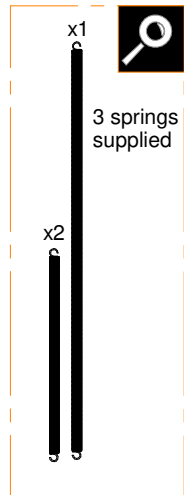
Subject to misprints, errors and technical modifications.  
All dimensione are in mm

2.2

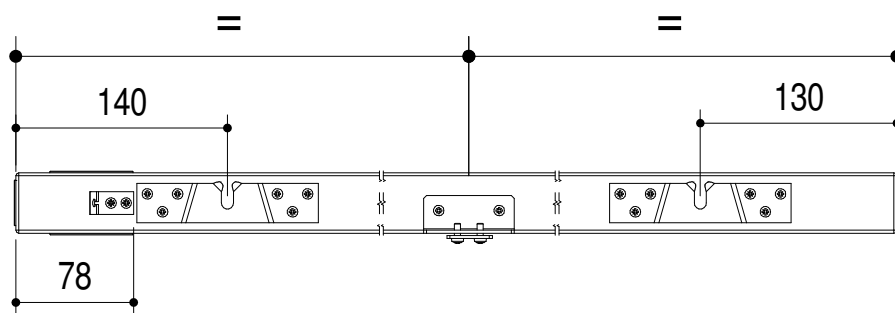
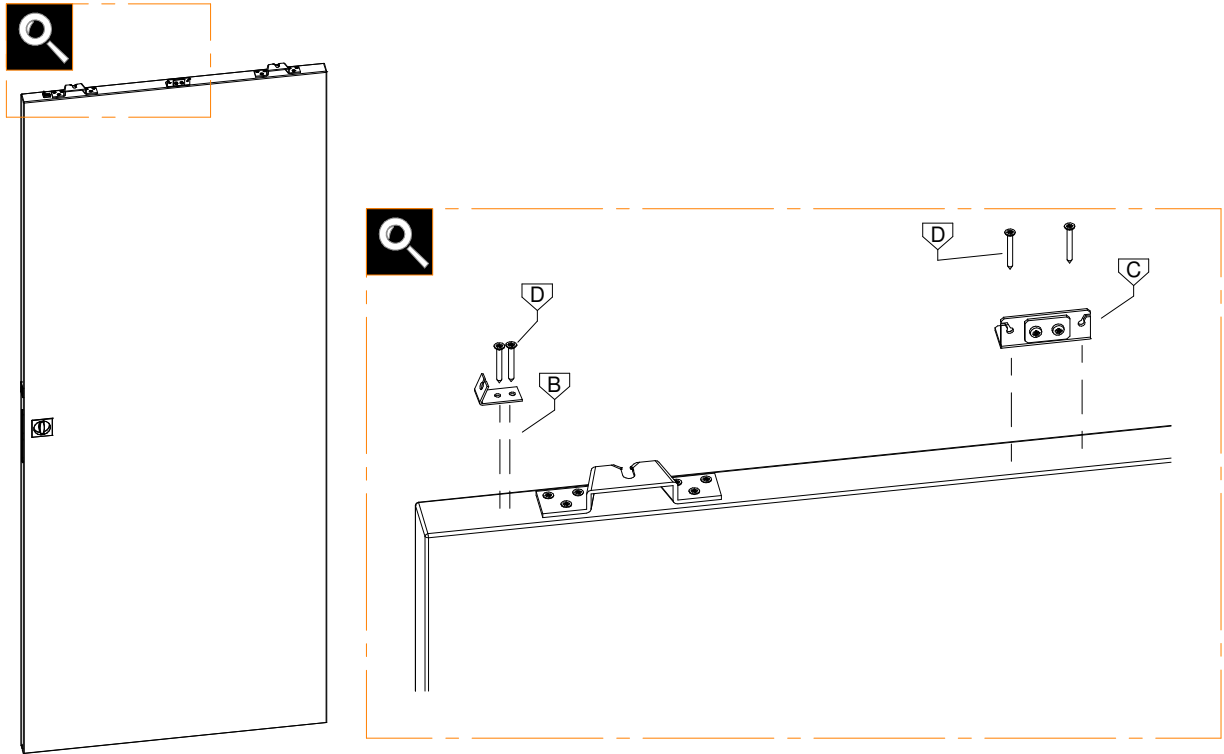


N.B.: la combinazione di molle da utilizzare, può essere definita prima dell'installazione, in base al peso delle ante e/o alle dimensioni delle luci di passaggio del controtelesia.

Please note: the springs can be combined before installation according to the weight of the doors or the passage opening of the systems

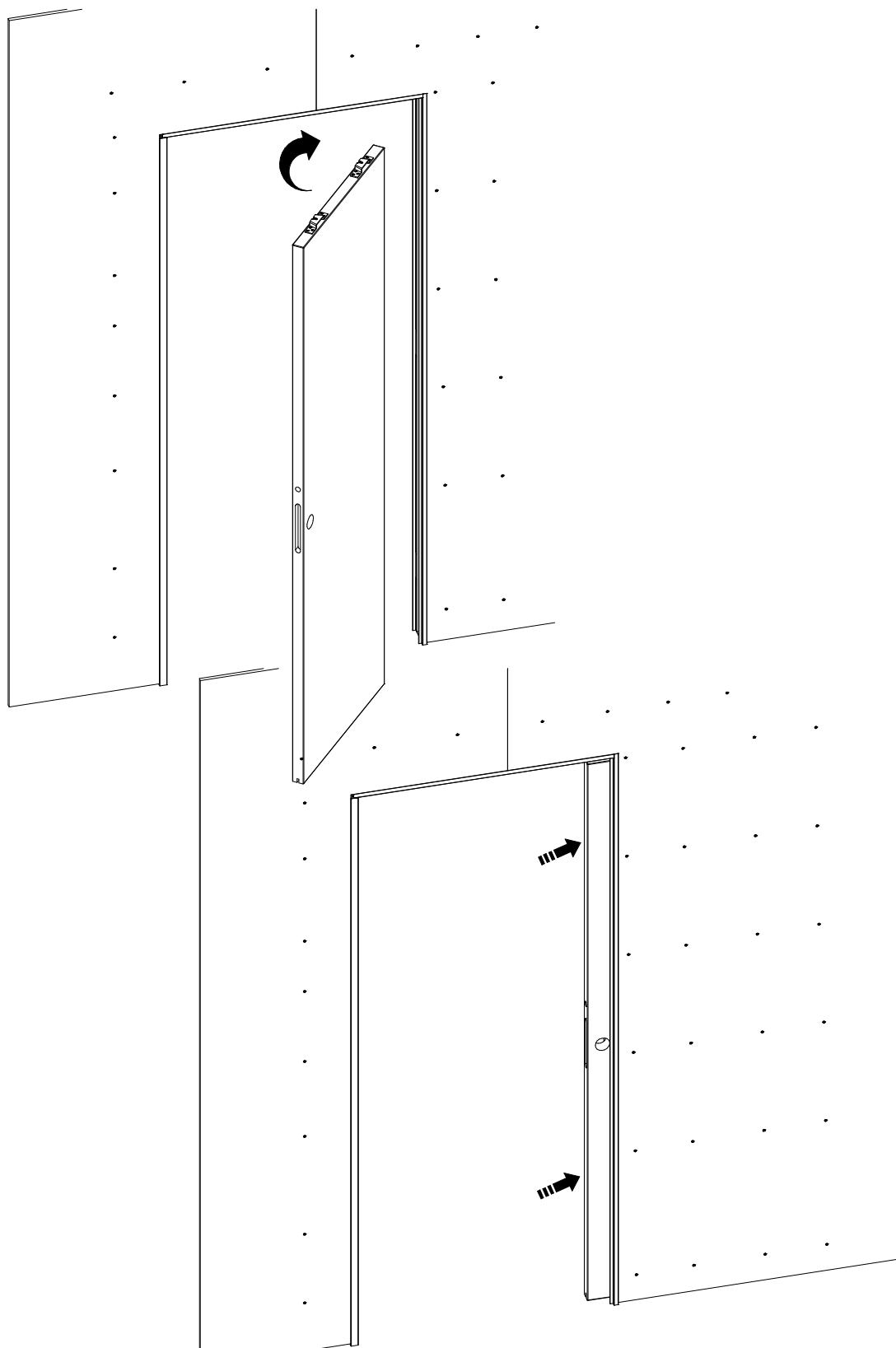


2.3

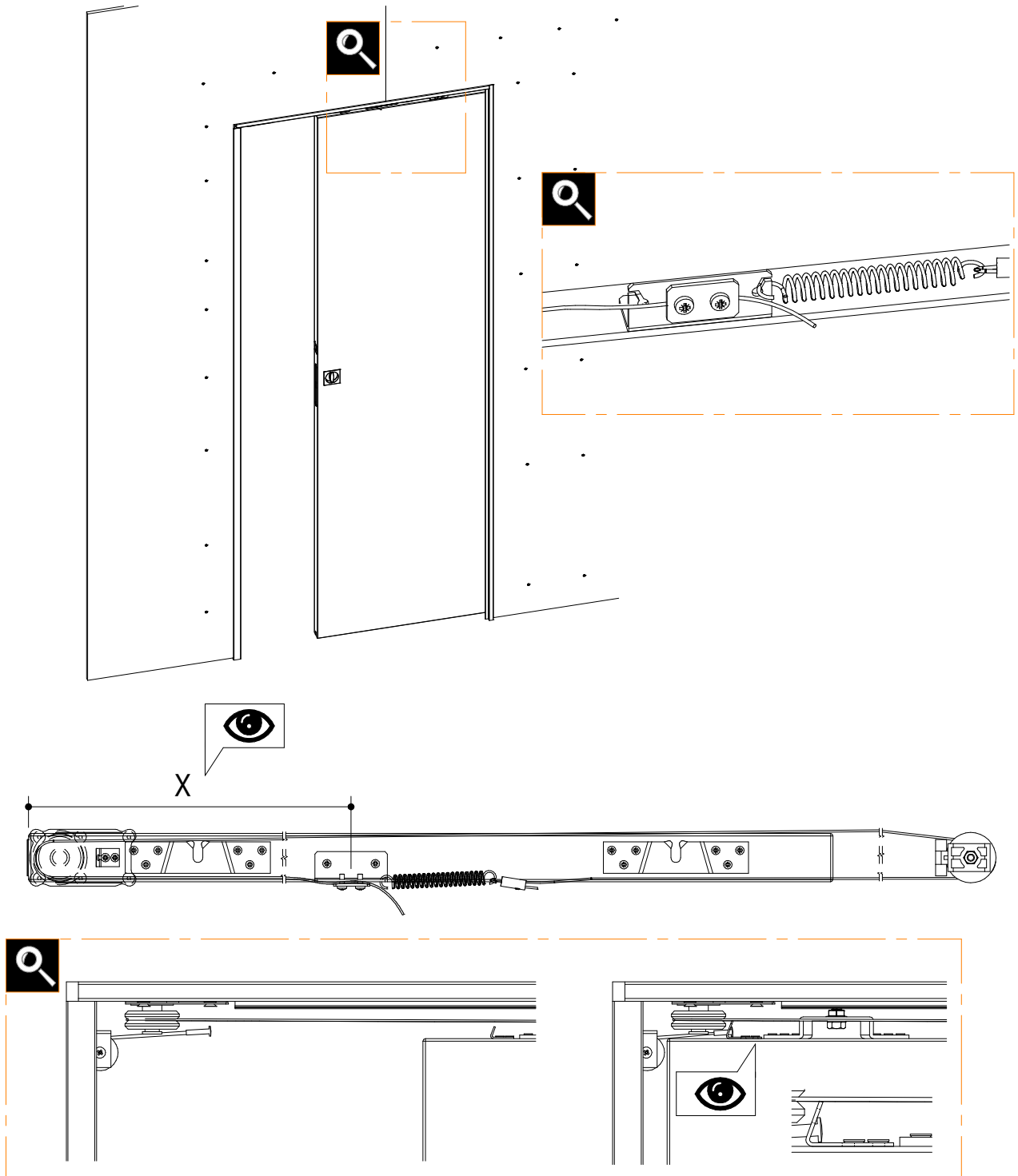


Subject to misprints, errors and technical modifications.  
All dimensions are in mm

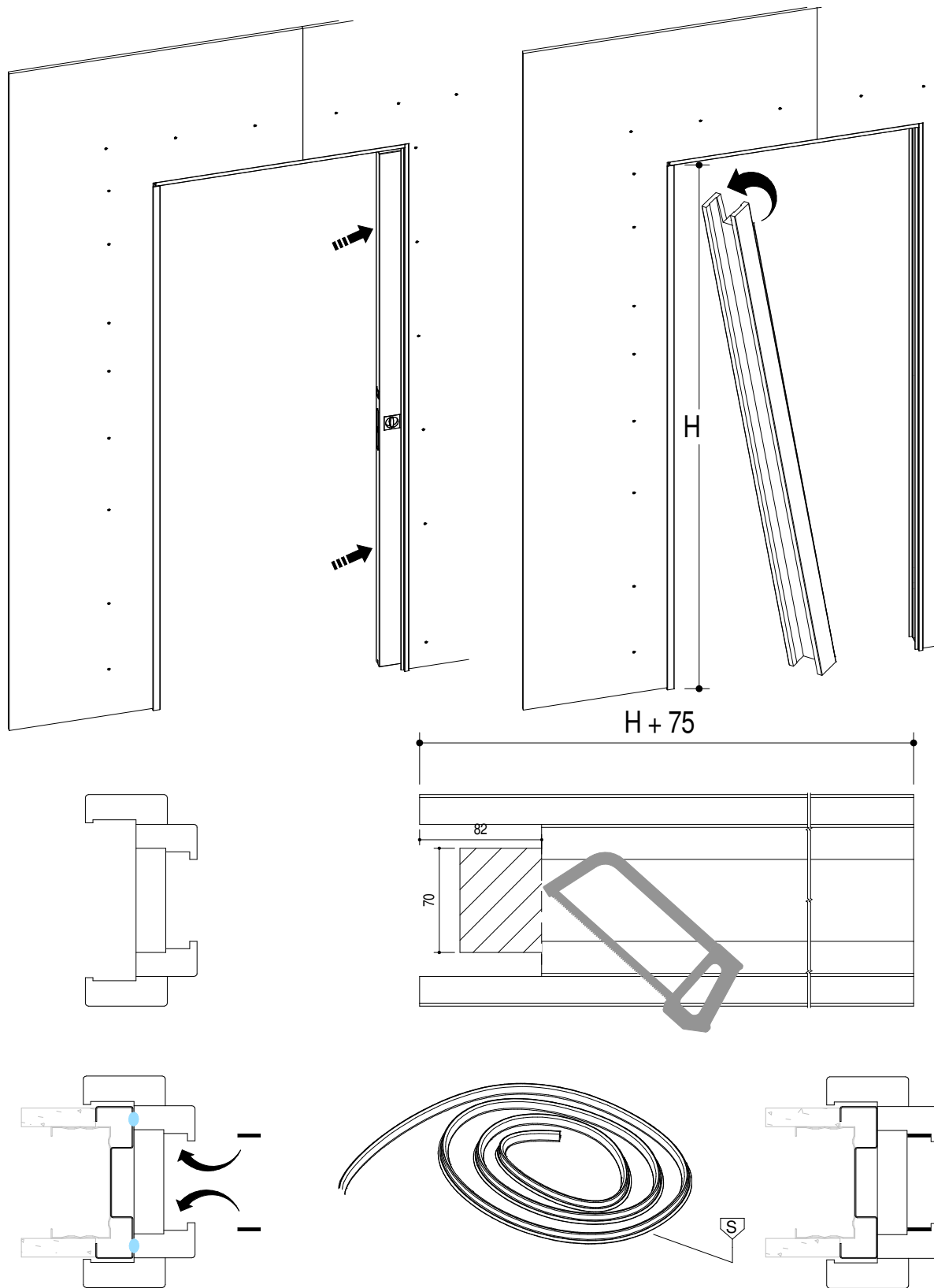
2.4



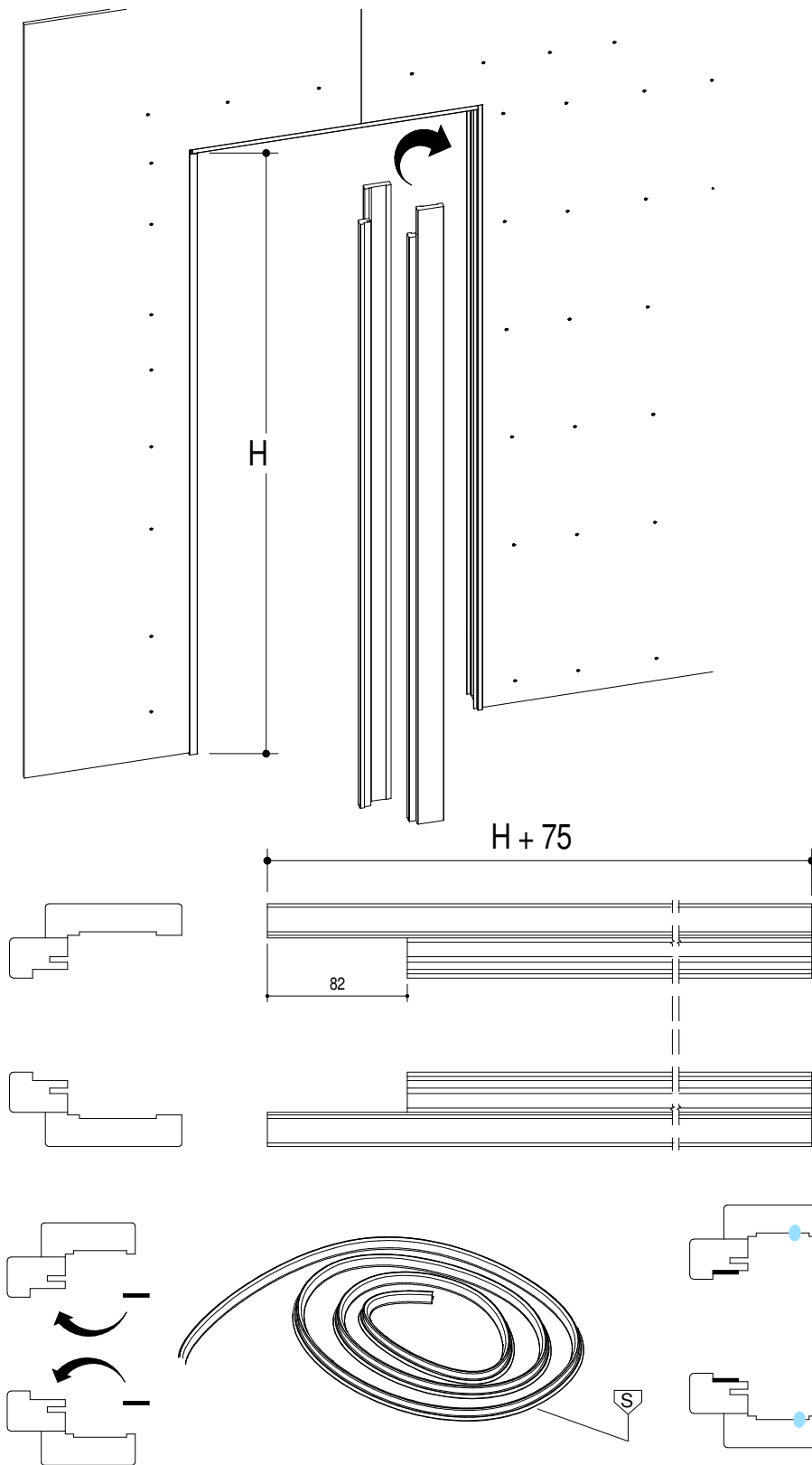
2.5



3.1

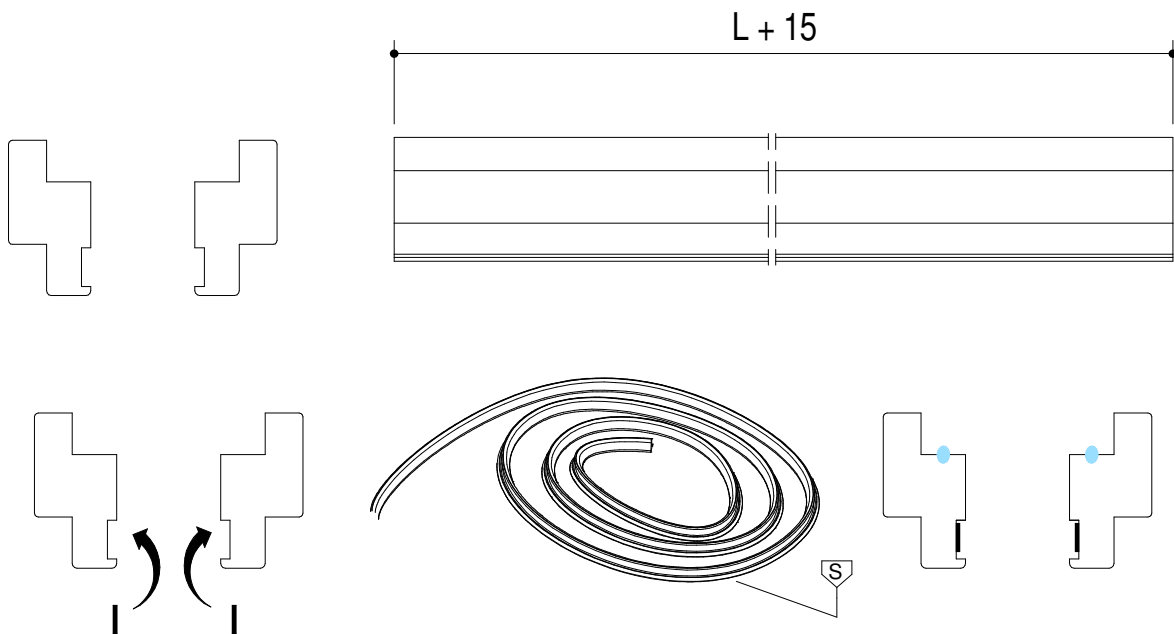
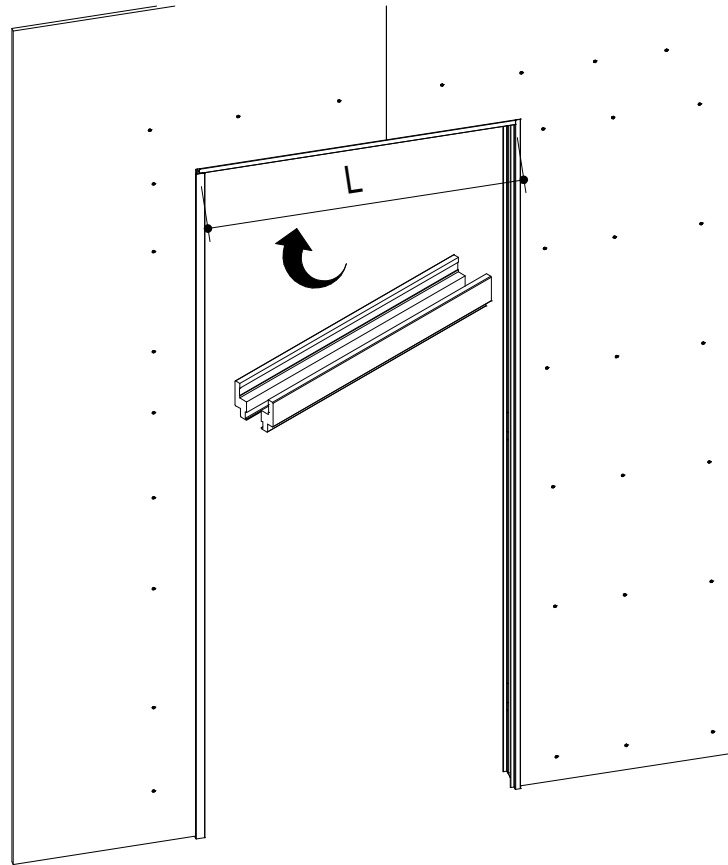


3.2



Subject to misprints, errors and technical modifications.  
All dimensione are in mm

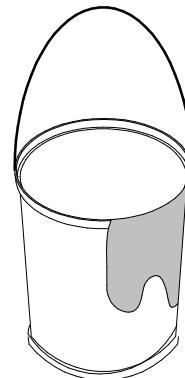
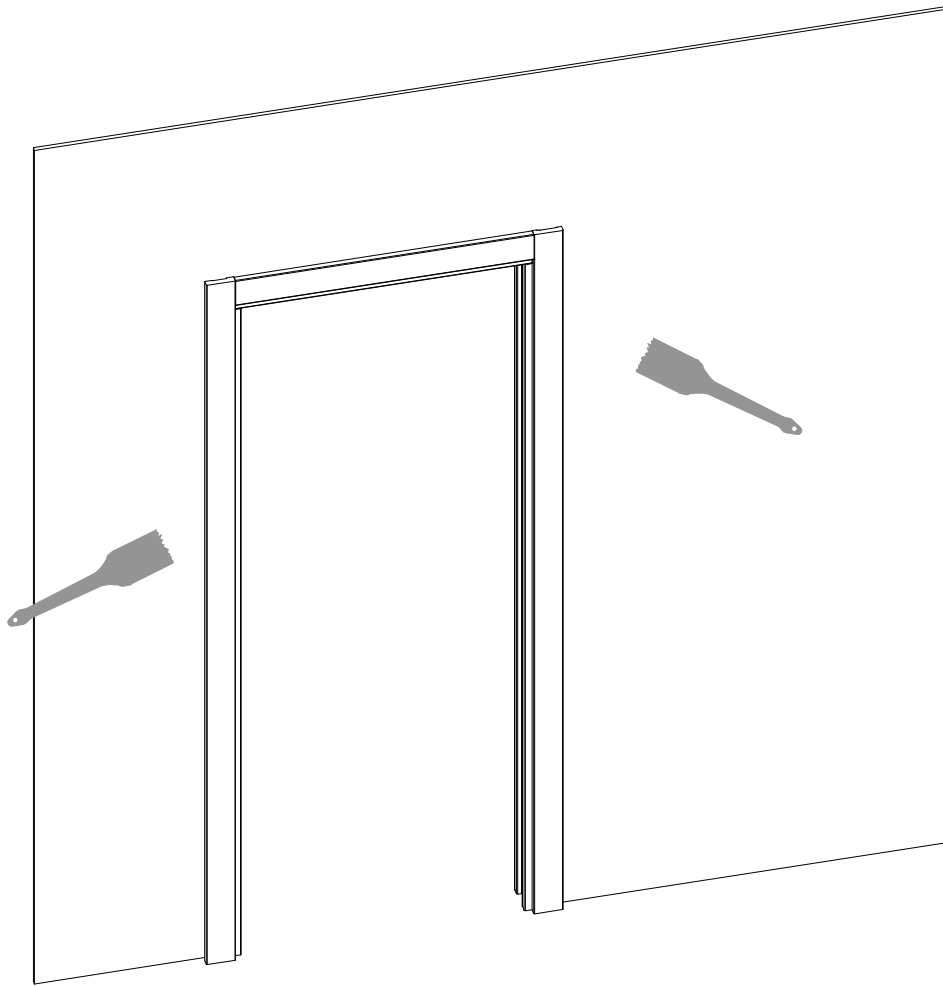
3.3





3.4

---



PAINT



T. +39 (0)883535781



info@ermetika.it



www.ermetika.it



www.youtube/ermetika.it